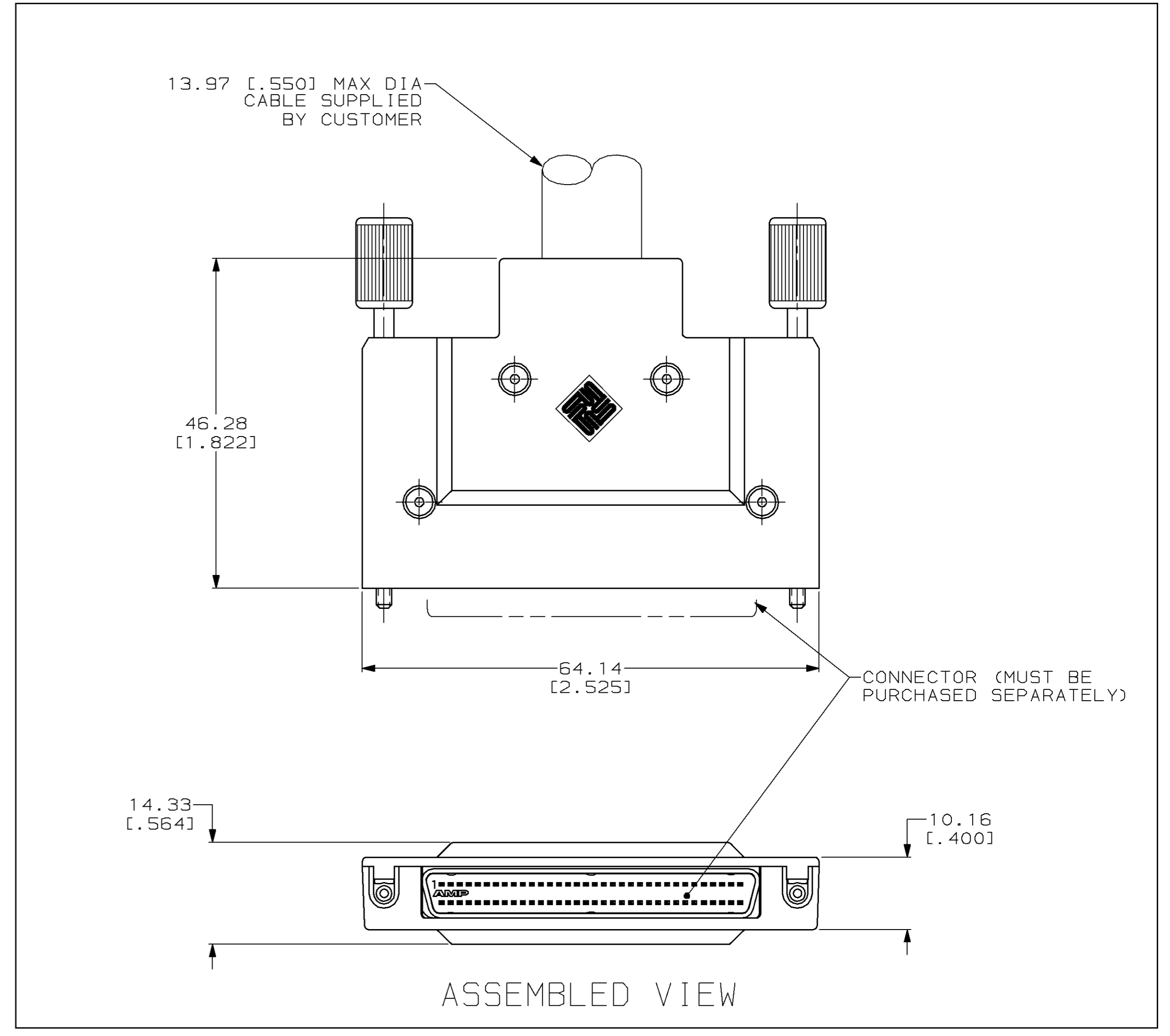
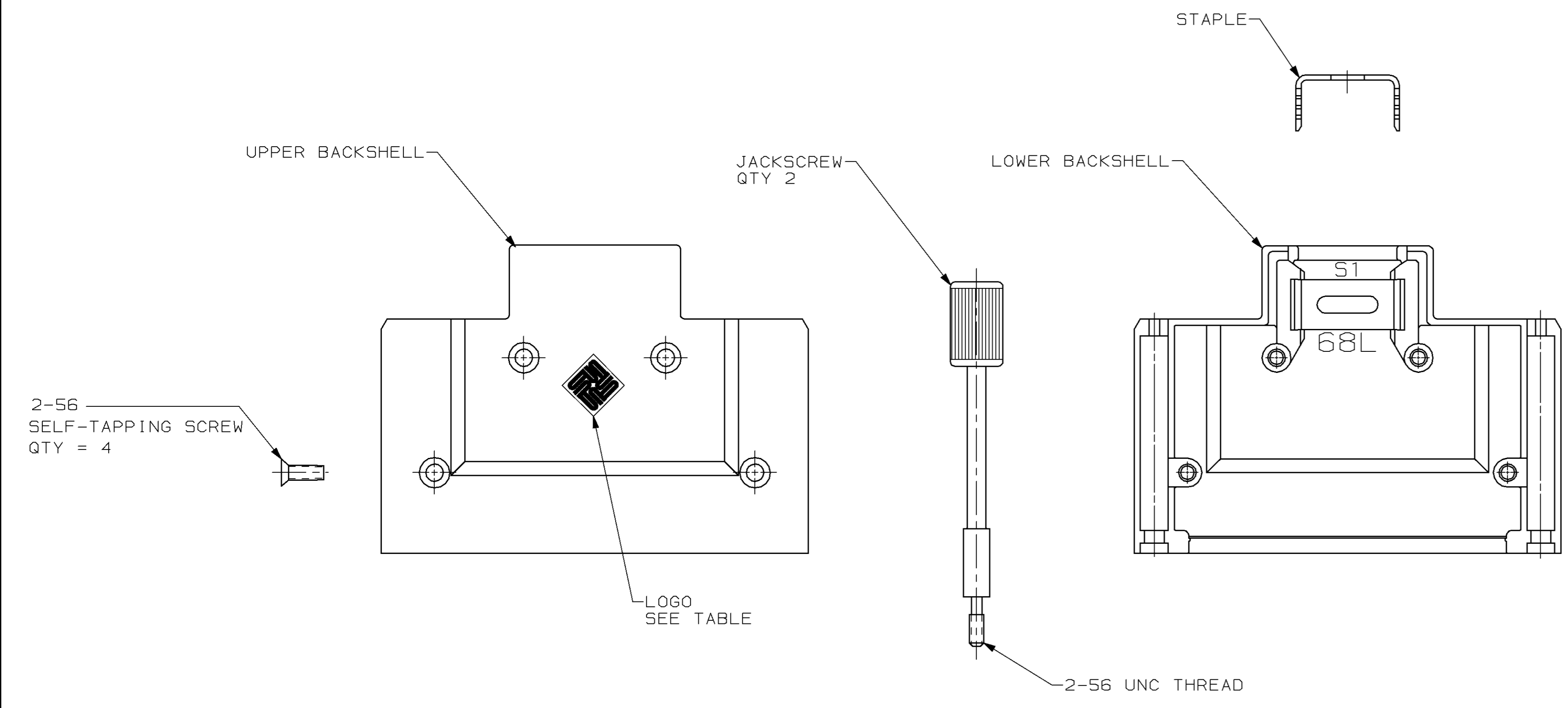


LOC	DIST	P	F	ZONE	LTR	REVISIONS	DATE	APPD
BD	95					0 RLSE PER NPR 3946 WAS 92-4621-3	2-5-92	-
						A ADDED -2 PER NPR 4249	06/24/92	RB
						B REV PER EC 0020-1247-93	12/10/93	RM
						C ADDED -3 NPR 5051, WAS 93-4621-8-1	02/08/94	RM
						D OBS -1 PER EC 0020-515-95	08 SEP 95	CB
						E OBSOLETE -2 PER EC 0020-481-96	11 FEB 97	CB



- ① ZINC PER ASTM B86.
- ② STAINLESS STEEL & PVC, BEIGE.
- ③ CARBON STEEL PER ASTM A109.
- ④ STAINLESS STEEL.
- ⑤ 1.27µm [0.000050] MIN TIN-LEAD OVER 1.27µm [0.000050] MIN NICKEL.
- ⑥ NEXTEL, BEIGE.
- ⑦ STAINLESS STEEL & PVC, BLACK.

NO	①	-	786152-3
OBSOLETE	YES	②	786152-2
OBSOLETE	YES	③	786152-1
	LOGO	JACKSCREW	FINISH
PART NO			
DO NOT SCALE PRINT. UNLESS SPECIFIED DIMENSIONS IN mm [INCHES] TOLERANCES ON:		AMP Incorporated Harrisburg, PA 17105-3608	
2 PLC DEC ± 0.51 [0.020]		NAME	
3 PLC DEC ± -		BACKSHELL KIT, UNASSEMBLED, 68 POSN, .050 SERIES AMPLIMITE™	
ANGLES ± -		SIZE	
MATERIAL		D 00779	
STAPLE: ③ SCREW: ④		CAGE CODE	
BACKSHELLS: ①		DRAWING NO	
JACKSCREW: SEE TABLE		786152	
FINISH		SCALE	
STAPLE: ⑤		2:1	
BACKSHELLS: SEE TABLE		SHEET	
WEIGHT		1 OF 1	